

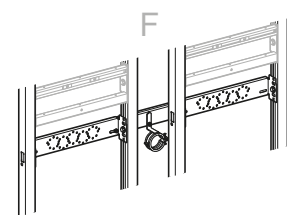
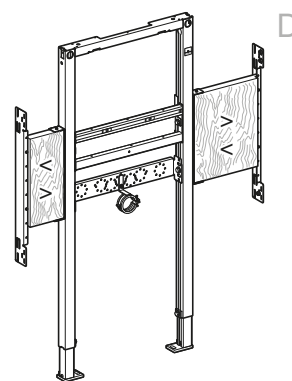
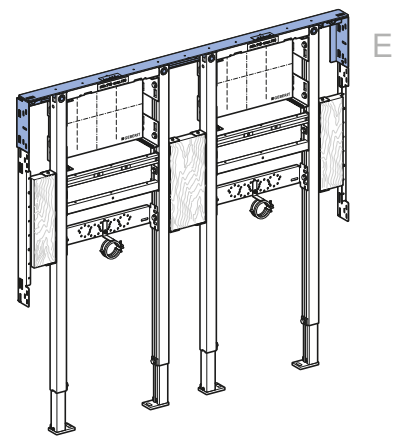
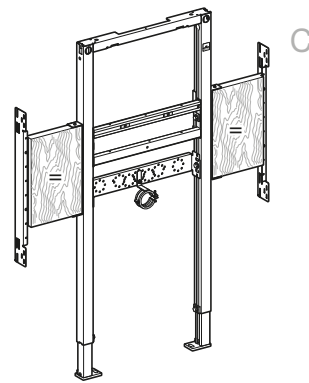
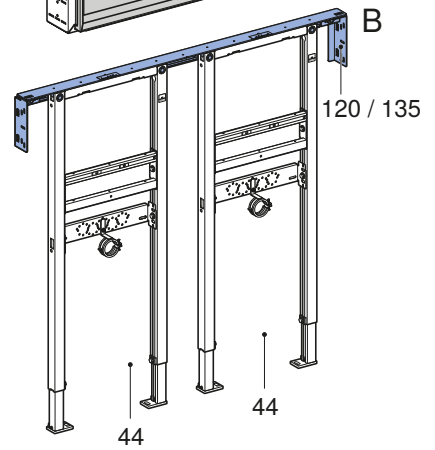
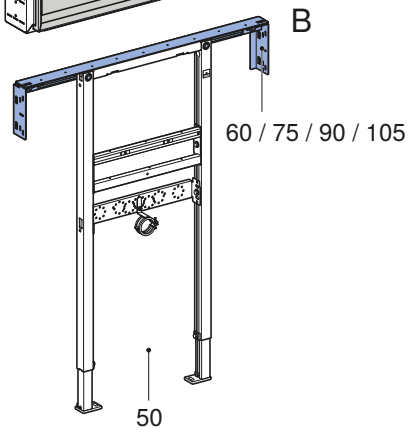
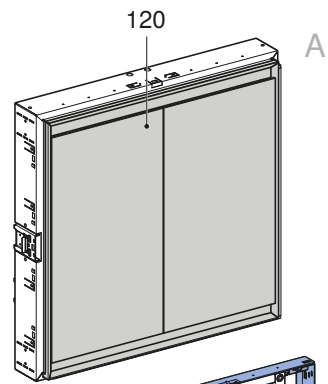
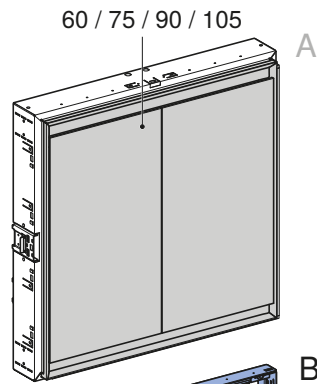
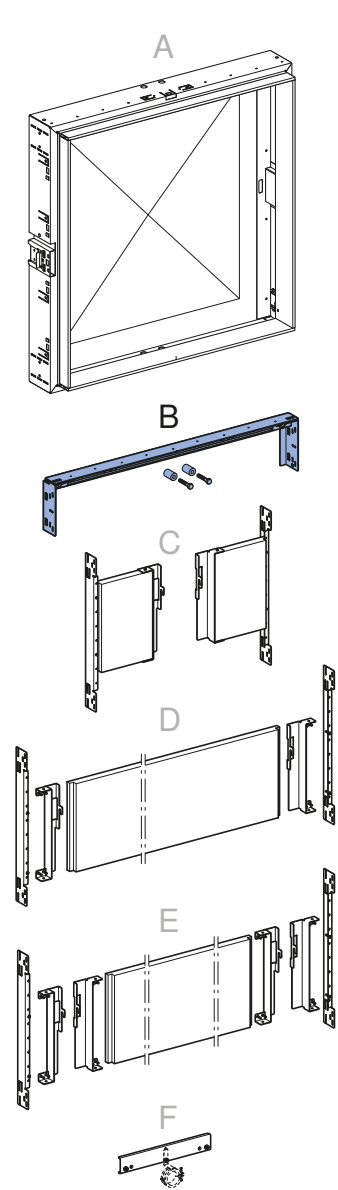
# INSTALLATION MANUAL

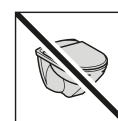
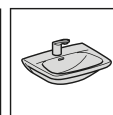
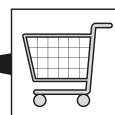
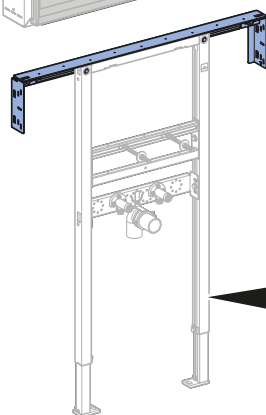
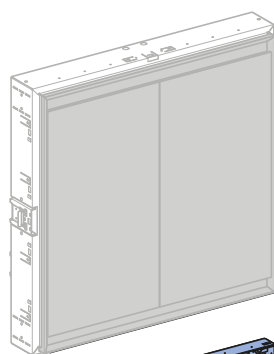
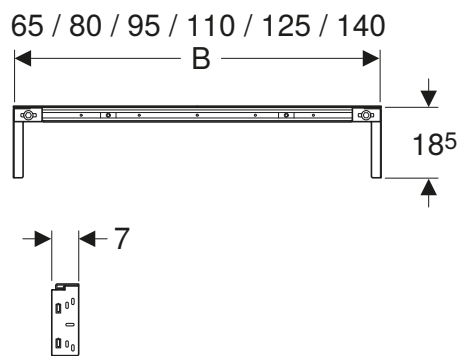
MONTAGEANLEITUNG  
INSTRUCTIONS DE MONTAGE  
ISTRUZIONI PER IL MONTAGGIO

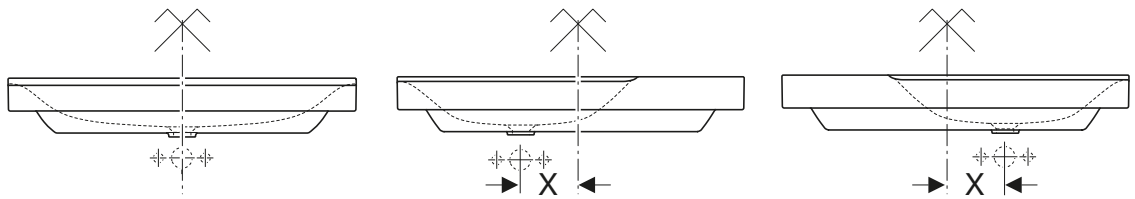
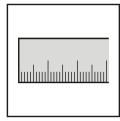


970.215.00.0(00)

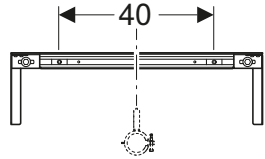
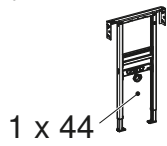




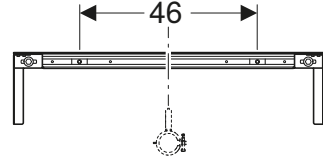
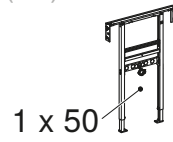




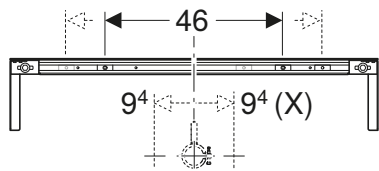
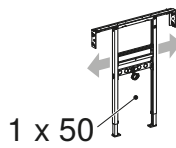
(60)



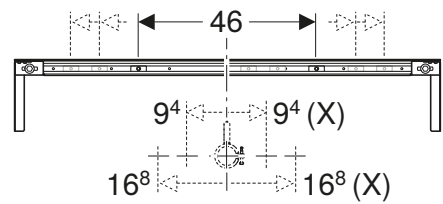
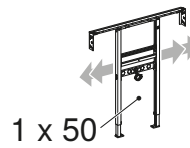
(75)



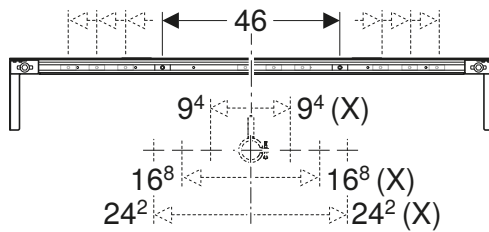
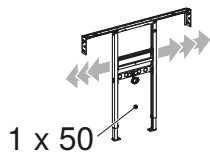
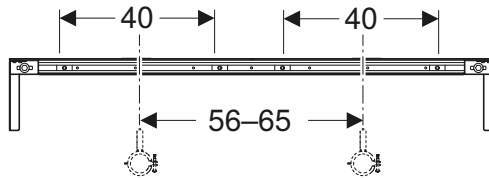
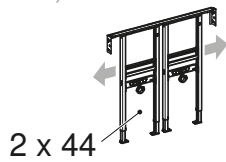
(90)



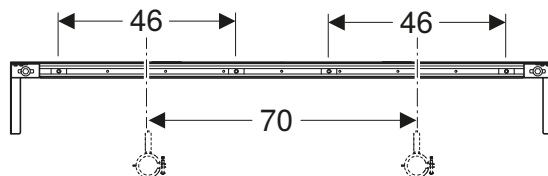
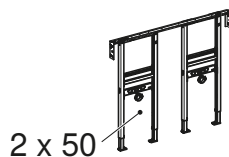
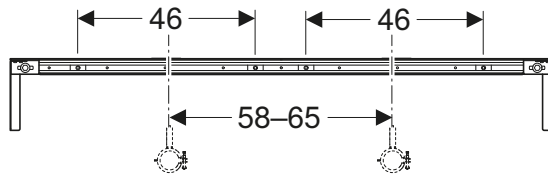
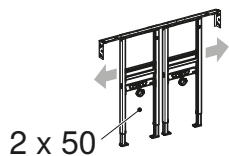
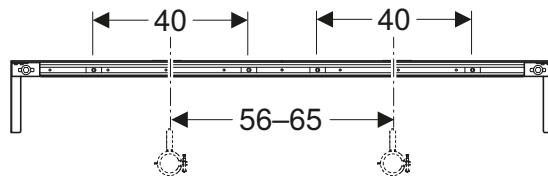
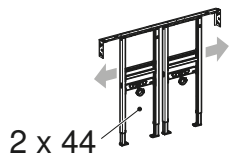
(105)



(120)



(135)

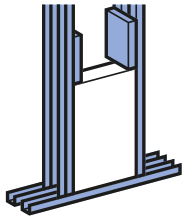




Duofix System



A 5

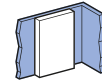


B 9

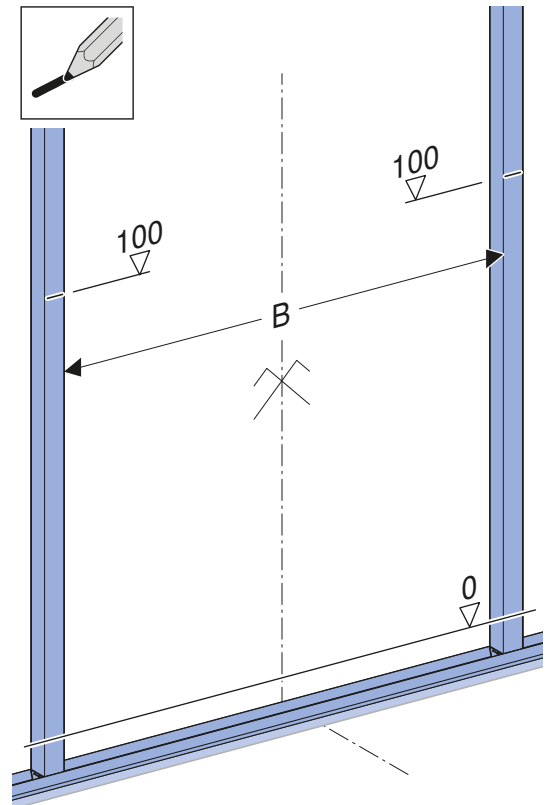
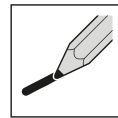
A



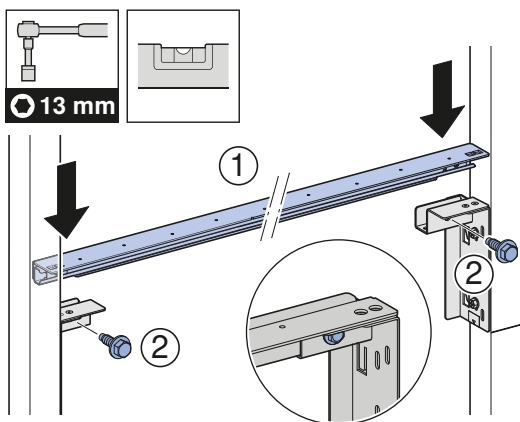
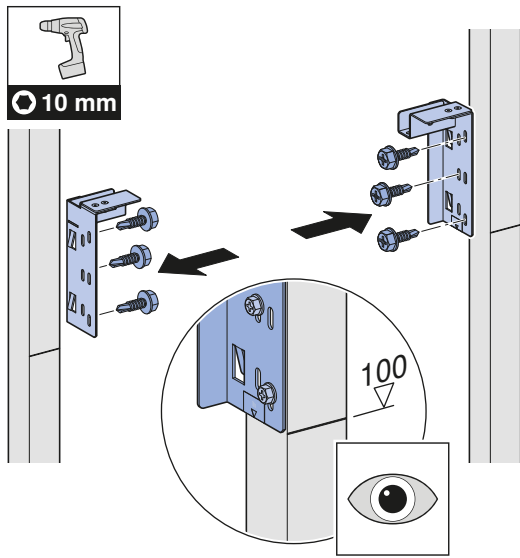
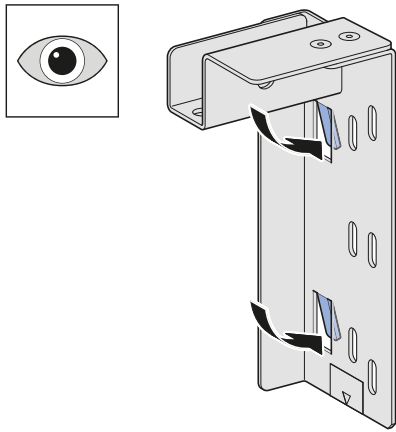
Duofix System



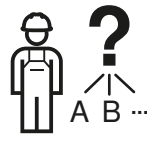
1



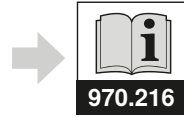
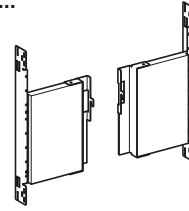
2



i

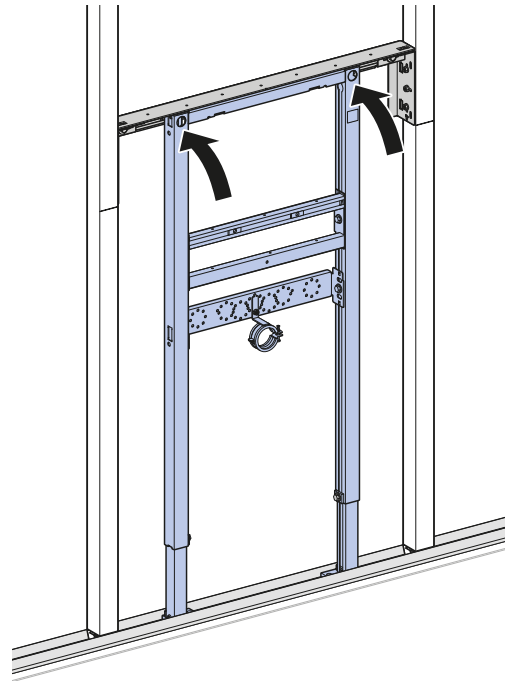


+

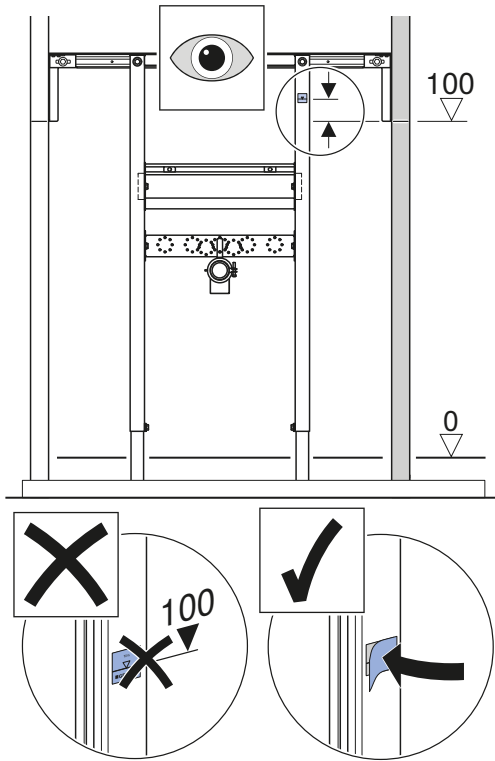


Installation Manual

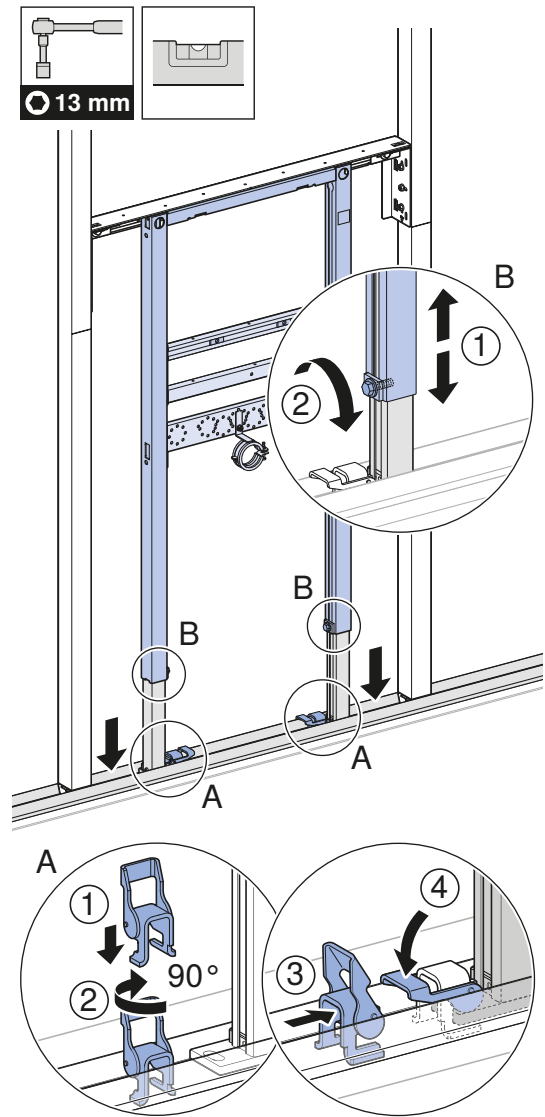
3



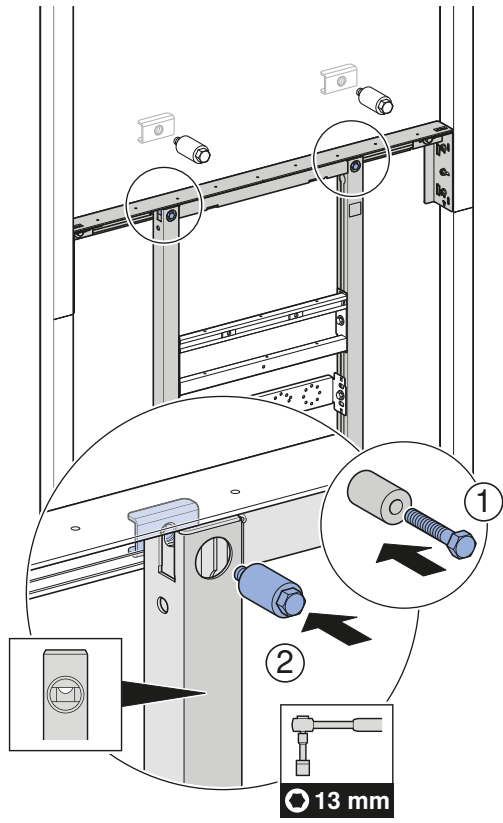
4



5

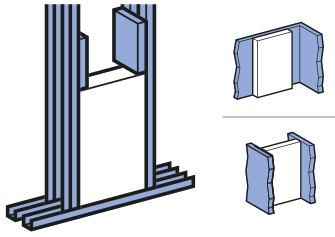


6

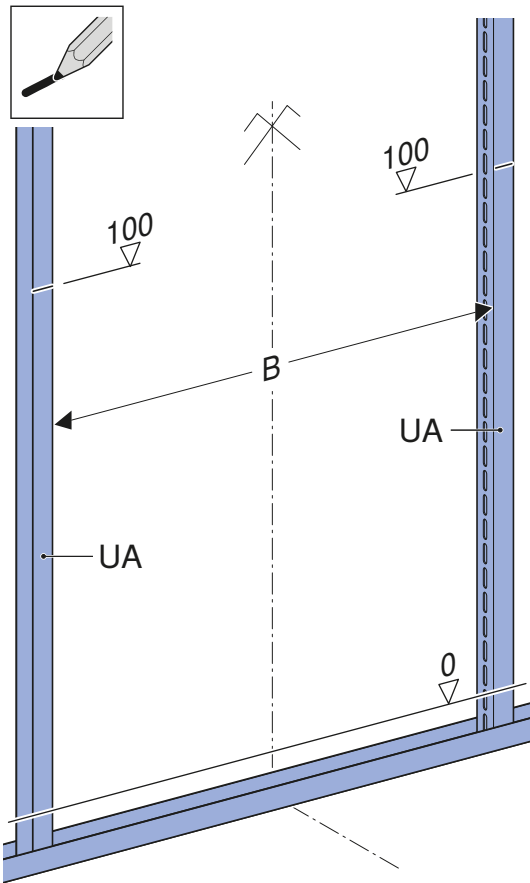




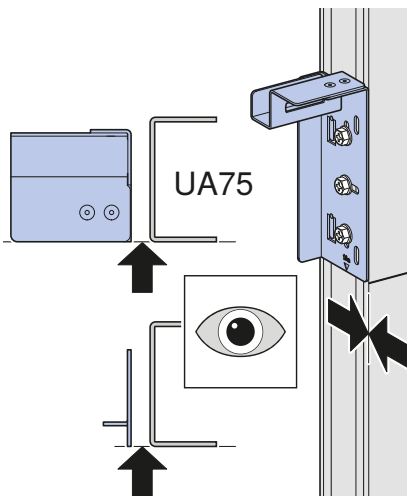
**B**



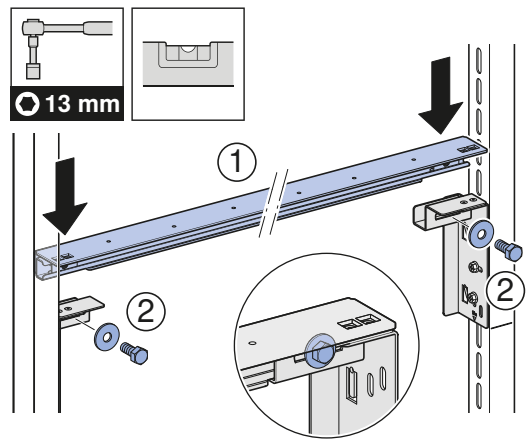
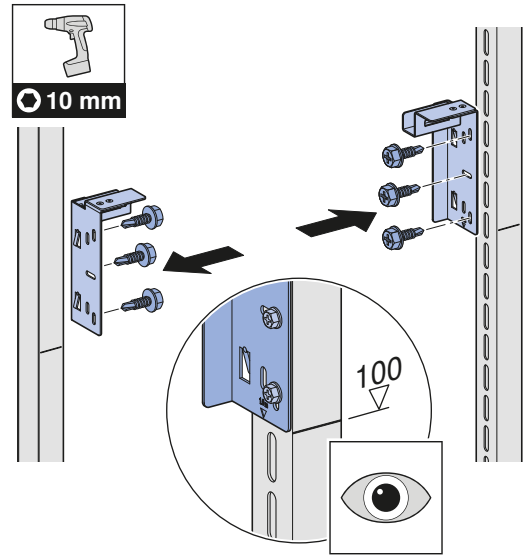
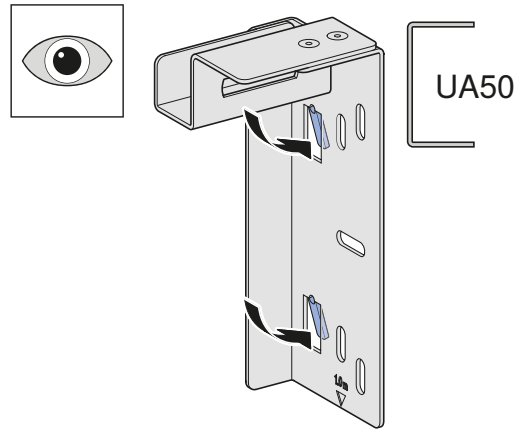
**1**



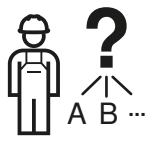
**i**



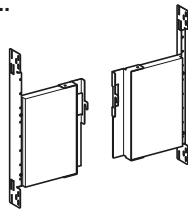
**2**



**i**

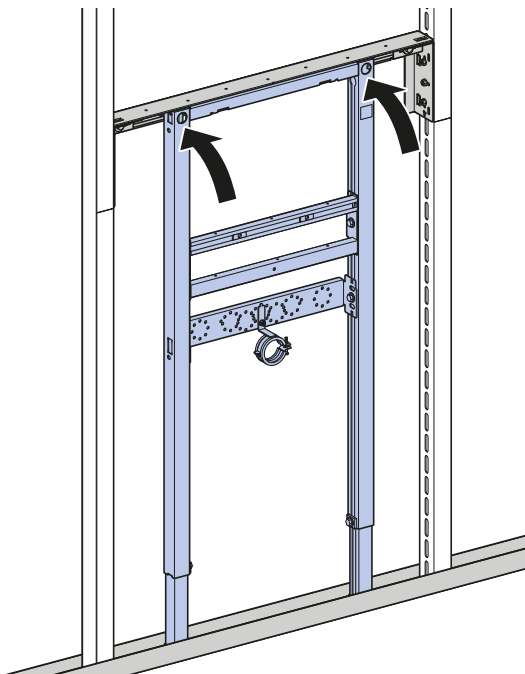


+

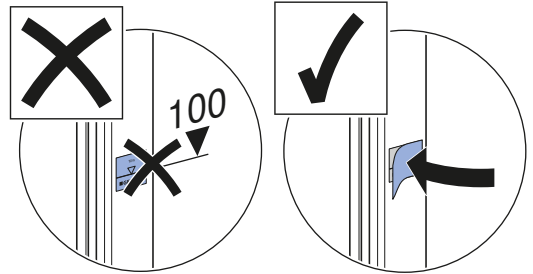
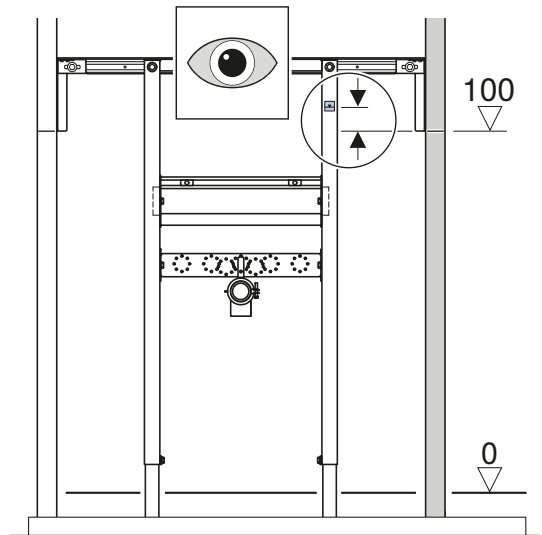


Installation Manual

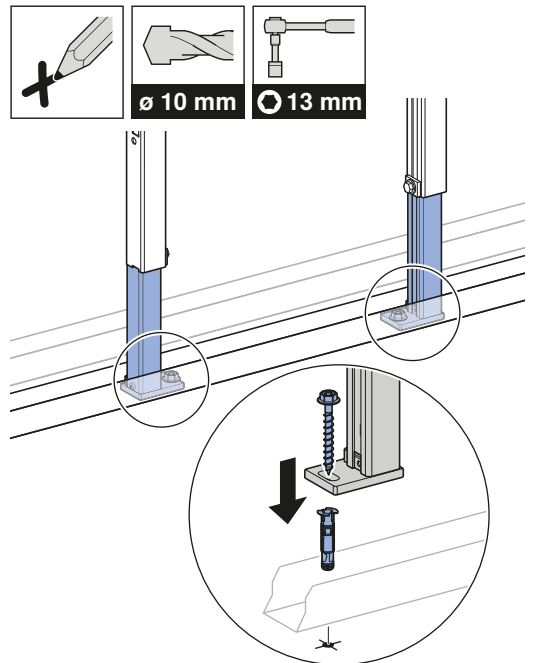
**3**



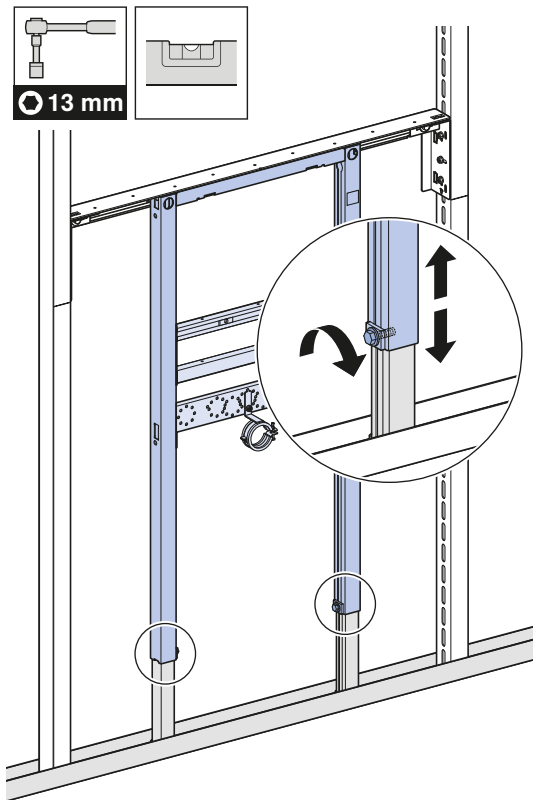
**4**



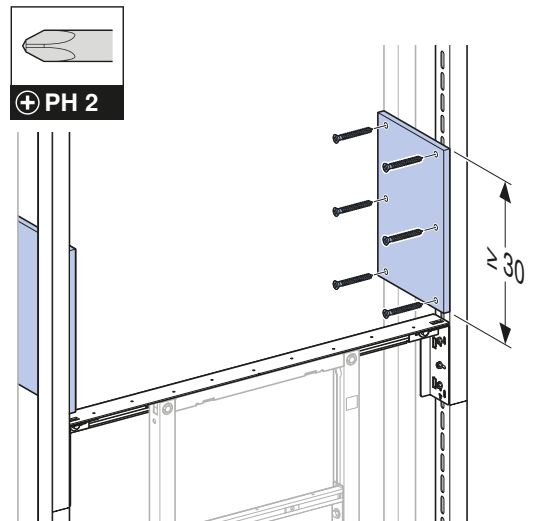
**5**



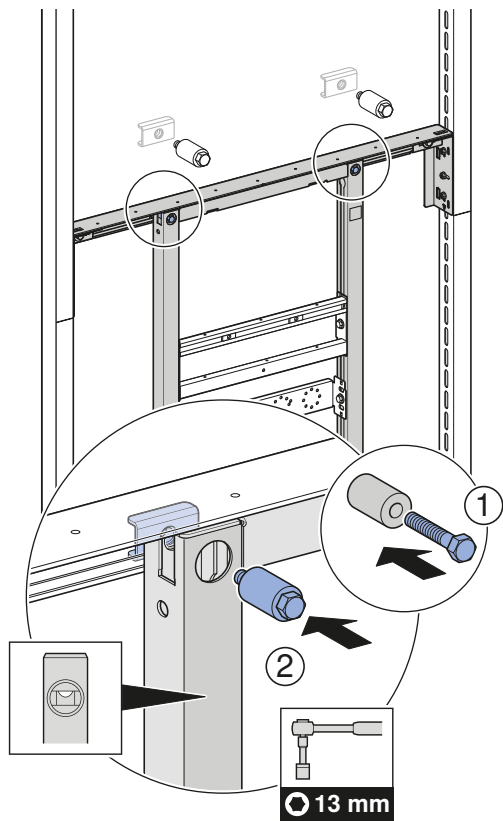
6



8



7



---

Geberit International AG  
Schachenstrasse 77, CH-8645 Jona  
documentation@geberit.com  
www.geberit.com

